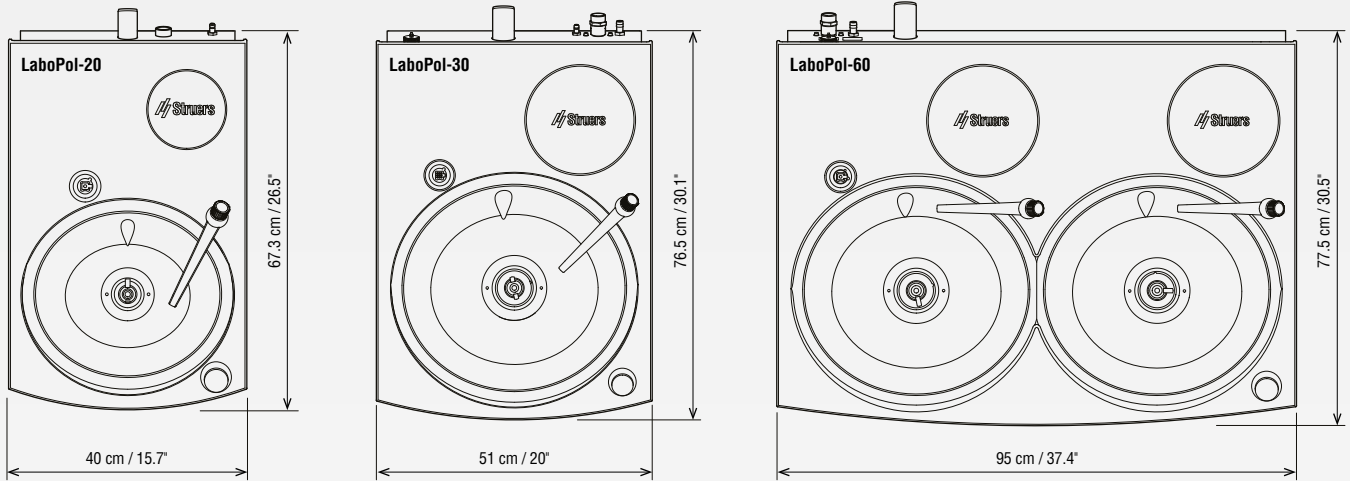


## TECHNICAL DATA



Technical data		LaboPol-20	LaboPol-30	LaboPol-60
<b>Disc</b>	Diameter	200 mm / 8"	250 mm / 10" or 300 mm / 12"	
	Speed	50 - 500 rpm		
	Rotational direction	Counter-clockwise		
	Motor power, continuous (S1)	370 W / 0.5 HP	750 W / 1 HP	
	Torque, @300 rpm	>12 Nm	>24 Nm	
<b>Safety</b>		Please refer to the Declaration of Conformity		
<b>Emergency stop</b>	Designed to comply with:	EN60204-1, Stop Category 0. EN954-1, Category 2		
<b>Noise level</b>	At idle running, at a distance of 1.0 m / 39.4" from the machine	51 dBA	52 dBA	52 dBA
<b>Surrounding temperature</b>		5 - 40 °C / 41 - 104 °F		
<b>Humidity</b>	Non condensing	0 - 95 % RH		
<b>Supply</b>	Voltage / frequency	200 - 240 V / 50 - 60 Hz		
	Power inlet	1-phase (N+L1+PE) or 2-phase (L1+L2+PE)		
	Power, nominal load	550 W	900 W	
	Power, idle	15 W	16 W	
	Current, nom.	2.4 A	4 A	
	Current, max.	6.3 A	10 A	
	Pressure for tap water	1-10 bar / 14.5 - 145 psi		
	Water inlet	½" or ¾"		
	Water outlet	ø 30 mm / 1¼" ø 40 mm / 1½"		
	Recirculation Cooling System (option)	-	Cooling System 3 (50 l)	
	Air inlet (LaboForce-100)	ø 6 mm / ¼"		
Air pressure (LaboForce-100)	6 - 10 bar / 87-145 psi			
<b>Dimensions and weight</b>	Width	40 cm / 15.7"	51 cm / 20"	95 cm / 37.4"
	Depth	67.3 cm / 26.5"	76.5 cm / 30.1"	77.5 cm / 30.5"
	Height (with LaboForce)	22 cm / 8.7" (58 cm / 22.8")	25 cm / 9.8" (64.5 cm / 25.4")	25 cm / 9.8" (64.5 cm / 25.4")
	Weight (with LaboForce)	22 kg / 49 lbs (36.5 kg / 80.5 lbs)	33 kg / 73 lbs (53.5 kg / 118 lbs)	50 kg / 110 lbs (70.5 kg / 156 lbs)
<b>Dosing (option)</b>	<b>Recommended dosing unit</b>	<b>LaboDoser-10</b>	<b>LaboDoser-100</b>	
	Pumps / Bottles	1 suspension / lubricant	4 suspensions / lubricants	
<b>Dimensions and weight</b>	Width	-	15 cm / 5.9"	
	Depth	-	30.6 cm / 12"	
	Height	-	11.5 cm / 4.5"	
	Weight	0.4 kg / 0.8 lbs	1.9 kg / 4.2 lbs	

## SPECIFICATIONS

Cat.no



### LaboPol-20

Grinding/polishing machine with variable speed (50-500 rpm) for 200 mm dia. disc. Supplied with manual splash guard and bowl liner. LaboUI control panel and discs are ordered separately. Specimen mover LaboForce-50 can be mounted.

06326127



### LaboPol-30

Grinding/polishing machine with variable speed (50-500 rpm) for 230, 250 or 300 mm dia. disc. Supplied with manual splash guard and bowl liner. LaboUI control panel and discs are ordered separately. Specimen mover LaboForce-50/-100/Mi can be mounted.

06336127



### LaboPol-60

Grinding/polishing machine with variable speed (50-500 rpm) for 2 discs, 250 or 300 mm dia. Each disc with automatic water valve, manual splash guard and bowl liner. LaboUI control panel and discs are ordered separately. One specimen mover LaboForce-50/-100 can be mounted.

06346127



### LaboUI

Control panel for LaboPol-20/-30/-60.

06206901



### LaboForce-50

Semi-automatic specimen mover for preparation of 1-4 specimens. For use with LaboPol-20/-30/-60. Specimen mover plates and dosing unit (LaboDoser-10) are ordered separately.

06356127



### LaboForce-100

Semi-automatic specimen mover for preparation of 1-6 specimens. For use with LaboPol-30/-60. Specimen mover plates/specimen holders and dosing unit (LaboDoser-10/-100) are ordered separately.

06366127



### LaboForce-Mi

Semi-automatic specimen mover for the preparation of mineralogical specimens. For use with LaboPol-30. Specimen mover plates and dosing unit (LaboDoser-10) are ordered separately.

06386130



### LaboDoser-10

Dosing unit with adjustable drip mechanism. For use with Struers' standard 500 ml/1000 ml bottles with diamond suspension, lubricant and all-in-one products. Includes empty 1000 ml bottle and support bracket for LaboForce-50/-Mi.

06376901



### LaboDoser-100

Dosing unit for use with LaboPol-30/-60. With 4 peristaltic pumps for dosing of diamond suspension, lubricant and all-in-one products. Controlled from LaboForce-100, which is ordered separately. Includes four empty 500 ml bottles.

06376902



### Lid for LaboPol-20

For protection of LaboPol-20 disc during non-use.

06206912



### Lid for LaboPol-30/-60

For protection of LaboPol-30/-60 disc during non-use.

06206913



### Cap for LaboDoser-10

For use with LaboDoser-10 (06376901) and Struers' standard 500 ml/1000 ml bottles with diamond suspension, lubricant and all-in-one products. With adjustable drip mechanism.

06376903



### Table stand for LaboDoser-10

Stand for use with Struers' standard 500 ml/1000 ml bottles with diamond suspension, lubricant and all-in-one products. Includes cap with adjustable drip mechanism (06376903).

06376904

## SPECIFICATIONS

Cat.no



### Splash guard for semi-automatic preparation, 200 mm dia.

For semi-automatic preparation on LaboPol-20. LaboPol comes standard with guard for manual preparation, with small gap to prevent stuck specimens.

06206923



### Splash guard for manual preparation, 250 mm dia.

For manual preparation on LaboPol-30/-60 with 250 mm MD-Disc. LaboPol comes standard with 200 (LaboPol-20) or 300 mm splash guard for manual preparation, with small gap to prevent stuck specimens.

06206921



### Splash guard for semi-automatic preparation, 300 mm dia.

For semi-automatic preparation on LaboPol-30/-60 with 300 mm dia. MD-Disc. LaboPol comes standard with guard for manual preparation, with small gap to prevent stuck specimens.

06206925



### Preparation discs

MD-Disc with cone, ø 200 mm dia.

06086401

MD-Disc with cone, ø 250 mm dia.

06086402

MD-Disc with cone, ø 300 mm dia.

06086403



Aluminium disc with cone, ø 200 mm dia.

06086404

Aluminium disc with cone, ø 250 mm dia.

06086405

Aluminium disc with cone, ø 300 mm dia.

06086406



### Wet grinding disc with cone, 200 mm dia.

Aluminium disc with retention ring. For use on LaboPol-20 with plain back silicon carbide paper.

06206924



### Wet grinding disc with cone, 230 mm dia.

Aluminium disc with retention ring. For use on LaboPol-30 with plain back silicon carbide paper.

06206932



### Wet grinding disc with cone, 250 mm dia.

Aluminium disc with retention ring. For use on LaboPol-30/-60 with plain back silicon carbide paper.

06206918



### Wet grinding disc with cone, 305 mm dia.

Aluminium disc with retention ring. For use on LaboPol-30/-60 with plain back silicon carbide paper.

06206919



### Splash guard for wet grinding disc, 200 mm dia.

For use with 200 mm dia. wet grinding disc (06206924).

06206926



### Splash guard for wet grinding disc, 230 mm dia.

For use with 230 mm dia. wet grinding disc (06206932).

06206927



### Splash guard for wet grinding disc, 250 mm dia.

For use with 250 mm dia. wet grinding disc (06206918).

06206928



### Splash guard for wet grinding disc, 305 mm dia.

For use with 305 mm dia. wet grinding disc (06206919).

06206929



### Bowl liner, LaboPol-20

Disposable bowl liner for LaboPol-20. 5 pcs.

49900061



### Bowl liner, LaboPol-30/-60

Disposable bowl liner for LaboPol-30/-60. 5 pcs.

49900062



### Cast Iron disc for mineralogy, 300 mm dia.

Concentrically grooved, cone-type disc for lapping mineralogical specimens on LaboPol-30/-60 (06336127/06346127). Made of special SiC-resistant cast iron alloy.

06206917

### Cooling System 3

Optional recirculation cooling system.

Please see brochure Cooling Systems for more information.

### Lavamin

Specimen cleaning unit for cleaning of specimen holders up to 160 mm dia. and for individual specimens in specimen mover plates for LaboPol-30/-60.

06236133

*Struers' equipment conforms with the provisions of the applicable International Directives and their appurtenant Standards.*

*(Please contact your local supplier for details).*

*Struers' products are subject to constant product development.*

*Therefore, we reserve the right to introduce changes in our products without notice.*

Find out more  
about LaboSystem

[www.newlabosystem.com](http://www.newlabosystem.com)

Technical data		LaboForce-50	LaboForce-100	LaboForce-Mi
	Motor output	40 W	180 W	15 W
	Torque, @ 300 rpm	>2.6 Nm	-	> 49 Nm
	Rotational speed	150 rpm at 50 / 60 Hz	50 - 500 rpm at 50 / 60 Hz	3 rpm at 50/60 Hz
	Rotational direction	Counter-clockwise	Clockwise / Counter-clockwise	Clockwise
	Force, Individual specimens	5 - 30 N	10 - 50 N	2.5 - 20 N
	Force, Specimen holder	-	30 - 300 N	-
	Methods	1	3	-
Specimen mover plates	Specimens (max)	4 x 40 mm dia.	6 x 40 mm dia.	8 x 30 mm dia.
	Max sample height, individual	-	10 - 35 mm	-
	Max. diameter	110 mm	140 mm	160 mm
Sample holders	Max sample height	-	40 mm	-
	Max. diameter	-	140 mm (250 mm disc) 160 mm (300 mm disc)	-
Safety Standards		Please refer to the Declaration of Conformity		
Noise level	Running at idle, at a distance of 0.25 m / 10" from the machine	48 dB (A)	57 dB (A)	48 dB (A)
Power supply	Power connection	LaboForce-50 is connected directly to LaboPol-20/-30 or 60	LaboForce-100 is connected directly to LaboPol-30 or LaboPol-60	LaboForce-Mi is connected directly to LaboPol-30
	Controls	-	Touch pad and push/turn knob	-
	Memory	-	FLASH-ROM / RAM / NV-RAM	-
	LC display	-	TFT-colour 320 x 240 dots with LED back light	-
Operating environment	Surrounding temperature	5 - 40 °C / 41 - 104 °F	5 - 40 °C / 41 - 104 °F	5 - 40 °C / 41 - 104 °F
	Humidity (Non condensing)	0 - 95% RH RH non condensing		
Supply	Air inlet	-	ø 6 mm / ¼"	-
	Air pressure	-	6 - 9.9 bar / 87-143 psi	-
	Air quality	Recommended quality: ISO 8573-1, class 5.6.4		
Dimensions and weight	Width	18.3 cm / 7.2"	20.3 cm / 8"	18.3 cm / 7.2"
	Depth	43.5 cm / 17.1"	43.3 cm / 17"	43.5 cm / 17.1"
	Height (above MD-Disc)	51.6 cm / 20.3"	57.4 cm / 22.6"	44.8 cm / 17.6"
	Weight	14.5 kg / 32 lbs	20.5 kg / 45.2 lbs	13 kg / 29 lbs

## Specimen mover plates and specimen holders

### SPECIFICATIONS

#### Specimen mover plates for LaboForce-50, for individual specimens

For 4 specimens, 25 mm dia.	06086912
For 4 specimens, 30 mm dia.	06086913
For 4 specimens, 40 mm dia.	06086914
For 4 specimens, 1" dia.	06086915
For 4 specimens, 1¼" dia.	06086916
For 4 specimens, 1½" dia.	06086917
Without holes	06086918

#### Specimen mover plates for LaboForce-100, for individual specimens

For 6 specimens, 25 mm dia.	06086902
For 6 specimens, 30 mm dia.	06086903
For 6 specimens, 40 mm dia.	06086904
For 6 specimens, 1" dia.	06086909
For 6 specimens, 1¼" dia.	06086910
For 6 specimens, 1½" dia.	06086911
For 3 specimens, 2" dia.	06086943
For AccuStop 30	06086907
Without holes	06086906

All specimen mover plates are made from stainless steel.



### Cat.no

### SPECIFICATIONS

#### Specimen holders for LaboForce-100, 140 mm dia. (250 mm disc)

For 6 specimens, 29-32 mm (1¼") dia., aluminium	02606952
For 6 specimens, 10-32 mm dia., stainless steel	02606935
For 6 specimens, 10-32 mm dia., aluminium	02606936
For 4 specimens, 10-40 mm dia., stainless steel	02606933
For 4 specimens, 10-40 mm dia., aluminium	02606934
Without holes, aluminium	02606950

#### Specimen holders for LaboForce-100, 160 mm dia. (300 mm disc)

For 8 specimens, 29 - 32 mm (1¼") dia., aluminium	02606954
For 6 specimens, 38 - 40 mm (1½") dia., aluminium	02606955
For 6 specimens, 10 - 40 mm dia., stainless steel	02606916
For 6 specimens, 10 - 40 mm dia., aluminium	02606915
For 12 specimens, 10 - 25.5 mm dia., stainless steel	02606917
For 6 specimens, 25 x 34 mm., stainless steel	02606918
For 3 specimens, 48 x 40 mm., stainless steel	02606920
For 3 specimens, 24 x 50 mm., stainless steel	02606924
Without holes, stainless steel	02606926
Without holes, aluminium	02606928

Aluminium specimen holders for use with mounted specimens only.

